



INSTALLATION GUIDE

LEDsmart™ Push Switch
Part Number: MESW/DGPB

INTRODUCTION

Designed in Australia to provide optimised switching of LED based lamps and drivers, this two-wire electronic switch mechanism has a minimum load rating of 1W.

As part of the LEDsmart™ range, this electronic switch enables LEDsmart™ dimmers, switches and timers to be combined onto the same wall plate, providing the user with a consistent look and feel.

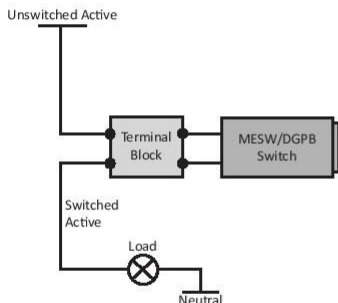
FEATURES

- Tap on / Tap off light switch
- Quiet, soft press button – no harsh click
- White LED, illuminated bezel
- Optional soft start switch on
- Flush and rocker style button options
- Programmable maximum level, soft start and off state indicator
- Simple 3-step programming
- Settable off-state indicator
- 1W minimum load
- Terminal block included for AS3000 compliance
- Easy-fit terminal block

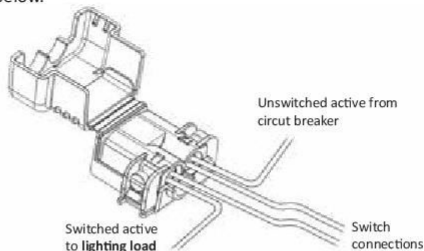
WIRING DIAGRAMS



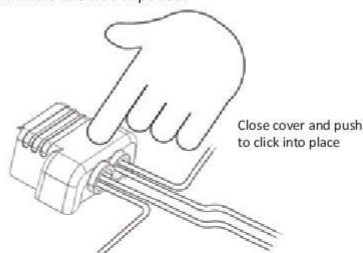
This product must be installed by a suitably qualified installer who must work in accordance with standard safety procedures for mains-powered electrical equipment.



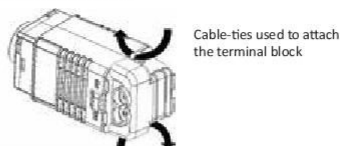
The terminal block included with the switch should be used to carry out the electrical connections, as shown below.



Once the connections have been made, the terminal cover should be snapped closed to ensure the screw terminals are not exposed.



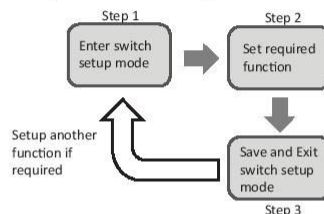
The terminal block can then be cable-tied to the rear of the switch housing utilising the loop holes on the case and terminal block.



SWITCH SETUP

The switch has a number of useful functions which can easily be set by entering setup mode and following the easy steps in this guide.

All setup functions follow the same simple 3-step procedure, as shown in the diagram below.



SWITCH SETUP FUNCTIONS

All setup functions are covered in this Installation Guide. See below for the relevant part of the guide.

Function	See Part
Entering Setup Mode	A
Setting Maximum Brightness	B
Setting the Soft Start feature	C
Setting Off State LED feature	D
Factory Defaults Reset	E



Once in Setup Mode, options are selected by a series of 'clicks' of the push button. Each 'click' should be approximately 1 second after the previous click.

A ENTERING SETUP MODE

If the switch has been powered up for **LESS THAN 30 MINUTES** see **A1** below.

If the switch has been powered up for **MORE THAN 30 MINUTES** see **A2** below.

A-1 Switch has been powered up via mains 240Vac for LESS THAN 30 MINUTES

1. Push and hold the button for **10 seconds**
Note: connected lights will dim up or down, this is normal



2. The white LED Indicators will blink ON/OFF with 1 second intervals. This indicates that **the switch is now in Setup Mode**



3. The switch is ready for the settings to be adjusted as required. Go to the relevant setup function instructions



A-2 Switch has been powered up via mains 240Vac for MORE THAN 30 MINUTES

1. Push and hold the button for **30 seconds**
Note: This resets the Setup Entry time back to 10 seconds (for the next 30 minutes)
Note: Connected lights will dim up or down, this is normal



2. The white LED Indicators will blink ON/OFF with 1 second intervals. This indicates that **the switch is now in Setup Mode**



3. The switch is ready for the settings to be adjusted as required. Go to the relevant setup function instructions



B SETTING MAXIMUM BRIGHTNESS

The maximum brightness level provided by the switch can be set to suit customer requirements.

Note that when lamps are near to full brightness, it is difficult to see changes in dimming level. Therefore, when setting up maximum brightness, it is recommended that the lamp is slowly dimmed up to a point where no further changes in brightness can be seen, and the maximum level set at this point.

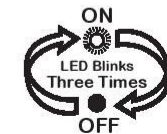
1. Enter into the switch **Setup Mode** - See **PART A**



2. Click the push button **3 times**



3. LED will **blink 3 times**



Note: To cancel/exit do nothing for 10 seconds

4. Use button to adjust to required maximum brightness level



Note: To cancel/exit do nothing for 10 seconds

5. Click once to save & exit



Please turn over for **Setup PARTS C to E** and **Switch Specifications**



For further information contact:

CTA CONTROL TECH ASIA PTE. LTD.
Lighting & Control for Architectural & Theatrical Spaces
45 Genting Lane #03-02, Genting Complex, Singapore 349557
Tel: +65-67420181 Fax: +65-67491681
Email: info@controltechasia.com
Website: www.controltechasia.com
Company No.: 200802342R

C SETTING THE SOFT START FEATURE

The switch includes a 'soft start' option. This soft start switches the lighting on over a half second period. This can increase lamp life in some cases and can also produce a better switch on effect for the user.

By default, soft start is disabled. To enable soft start, follow the steps below.

1. Enter into the switch **Setup Mode** - See **PART A**



2. Click the push button **4 times**



3. LED will **blink 4 times**

Note: To cancel/exit do nothing for 10 seconds



4. **To enable the soft start feature**
Push and hold the push button until the lamp(s) turn ON



5. **To disable the soft start feature**
Push and hold the push button until the lamp(s) turn OFF (default)



D SETTING OFF STATE INDICATION

When the switch is off, the white LED indicators in the switch can be set to glow or turn off.

By Default, the white LED indicators are set to glow when the switch is turned off.

To set the LED indicators to turn off when the switch is off, follow the steps below.

1. Enter into the switch **Setup Mode** - See **PART A**



2. Click the push button **5 times**



3. LED will **blink 5 times**

Note: To cancel/exit do nothing for 10 seconds



4. **To set Indicator to glow on when switch is off**
Push the button until the lamp(s) turns ON (default)



5. **To set Indicator to turn off when switch is off**
Push the button until the lamp(s) turns OFF



E RESETTING TO FACTORY DEFAULTS

1. Enter into the switch **Setup Mode** - See **PART A**



2. Click the switch push button **10 times**



3. The switch will automatically exit Setup Mode once reset

SPECIFICATIONS

Nominal Line Voltage	220-240Vac
Line Voltage Frequency	50Hz Nominal (47 – 53Hz)
Rated Load	Refer Compatible Loads
Minimum Load	1W

COMPATIBLE LOAD TYPES

Load Symbol	Load Type	Max. Load	Notes
	Dimmable LED Lamps	400W	Maximum permitted number of drivers is 400W divided by driver nameplate power rating. Due to variety of LED lamp designs, maximum number of LED lamps is also dependent on power-factor result when connected to dimmer
	Electronic Transformers	400W	
	Standard iron-core transformers	250W	Due to the variety of transformer designs, max LV lighting load is also dependent on transformer efficiency
	Toroidal iron-core transformers	300W	
	Incandescent	350W	
	Dimmable CFLs	400W	Due to the variety of CFL designs, the maximum number is make/model dependent

INCOMPATIBLE LOAD TYPES

Ceiling Sweep Fans and Exhaust fans

MULTI-GANG DE-RATING

In applications where multiple switches are installed in a multi-gang plate, a de-rating factor is applied to the maximum load as follows

Number of timer per plate	De-rating factor
1	No de-rating
2	0.85
3	0.7
4	0.55
5	0.4
6	0.25

De-rating Example

Two switches installed in a wall plate. The maximum LED load which can be connected to each switch = $400W \times 0.85 = 340W$ per switch