

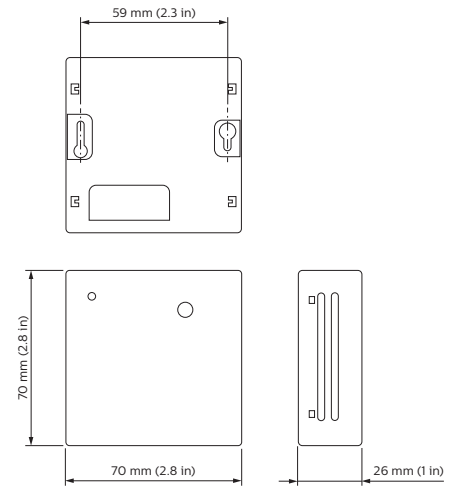


## DTS900M Temperature Sensor

Measure & report ambient temperature to network devices

The DTS900M temperature sensor measures and reports ambient temperature data to other Philips Dynalite devices in situations where temperature control is critical, such as heating and cooling plants. The DTS900M features a set point knob, to manually adjust the temperature.

- Incorporates filtering and hysteresis — To provide compensation for rapid temperature fluctuations.
- Customized high and low set points — Create acceptable temperature parameters specific to the application using Envision commissioning software or other Philips Dynalite control devices, including touchscreens.
- Integrate with touchscreens for two way network communication — Use DTP100 or DTP170 touchscreens to interrogate the sensor and display the current temperature in real time.
- User-adjustable — Manual temperature set point knob provided.



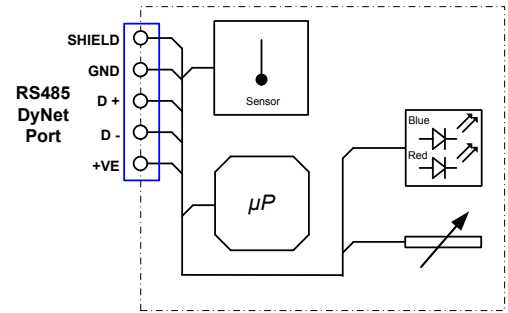
For detailed product information, please refer to the product information pages at [www.philips.com/dynalite](http://www.philips.com/dynalite) and follow the links.

## Specifications

Due to continuous improvements and innovations, specifications may change without notice.

Item	Specification	Details
Hardware	Supply	12 VDC @ 20 mA from the DyNet network
	Control Inputs/Outputs	One RS-485 DyNet serial port
	Measurement Range	0° to 50° C, accuracy ± -1° C
	Internal Controls	Programmable Logic Controller
	User Controls	LED Indicator: Blue = Cool Red = Heat  Temperature set point knob
Physical	Dimensions (H x W x D)	70 mm x 70 mm x 26 mm (2.8" x 2.8" x 1.0")
	Packed Weight	0.116 kg
	Construction	ABS plastic enclosure
	Operating Conditions	Temperature: -0 to 45° C ambient Humidity: 10 to 90% non-condensing
	Storage & Transport	Temperature: -25 to 60° C ambient Humidity: 0 to 90% non-condensing
Certification	Certification	CE, C-Tick
Options & Ordering	User Adjustable Set Point	DTS900M (Philips 12NC - 913703072109)

## Electrical Diagram



Philips Dyalite  
6 / 691 Gardeners Road  
Mascot, NSW 2020  
Australia  
Tel: +61 2 8338 9899  
Email: dyalite.info@philips.com  
Web: www.philips.com/dyalite

Specifications subject to change without notice. ©WMGD Pty Ltd Trading as Dyalite. Unit 6, 691 Gardeners Road Mascot 2020 Australia. ABN 33 097 246 921. All rights reserved. Dyalite, DyNet and associated logos are the registered trademarks of WMGD Pty Ltd. Not to be reproduced without permission.