

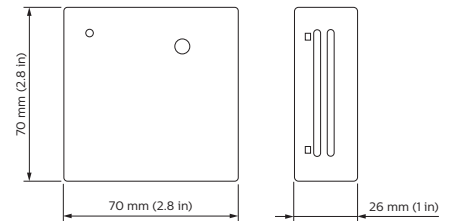
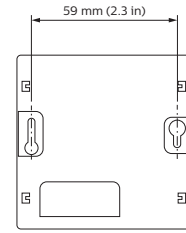


DTS900 Temperature Sensor

Measure & report ambient temperature to network devices

The DTS900 temperature sensor measures and reports ambient temperature data to other Philips Dynalite devices in situations where temperature control is critical, such as heating and cooling plants.

- Incorporates filtering and hysteresis — Provides compensation for rapid temperature fluctuations.
- Customized high and low set points — Create acceptable temperature parameters specific to the application using Envision commissioning software or other Philips Dynalite control devices, including touchscreens.
- Integrate with touchscreens for two way network communication — Use DTP100 or DTP170 touchscreens to interrogate the sensor and display the current temperature in real time.



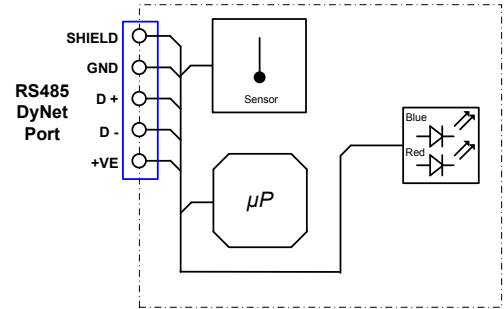
For detailed product information, please refer to the product information pages at www.philips.com/dynalite and follow the links.

Specifications

Due to continuous improvements and innovations, specifications may change without notice.

Item	Specification	Details
Hardware	Supply	12 VDC @ 20 mA from the DyNet network
	Control Inputs/Outputs	One RS-485 DyNet serial port
	Measurement Range	0° to 50° C, accuracy ± -1° C
	Internal Controls	Programmable Logic Controller
	User Controls	LED Indicator: Blue = Cool Red = Heat
Physical	Dimensions (H x W x D)	70 mm x 70 mm x 26 mm (2.8" x 2.8" x 1.0")
	Packed Weight	0.116 kg
	Construction	ABS plastic enclosure
	Operating Conditions	Temperature: -0 to 45° C ambient Humidity: 10 to 90% non-condensing
	Storage & Transport	Temperature: -25 to 60° C ambient Humidity: 0 to 90% non-condensing
Certification	Certification	CE, C-Tick
Options & Ordering	Standard Product	DTS900 (Philips 12NC - 913703072009)

Electrical Diagram



Philips Dyalite
6 / 691 Gardeners Road
Mascot, NSW 2020
Australia
Tel: +61 2 8338 9899
Email: dyalite.info@philips.com
Web: www.philips.com/dyalite

Specifications subject to change without notice. ©WMGD Pty Ltd Trading as Dyalite. Unit 6, 691 Gardeners Road Mascot 2020 Australia. ABN 33 097 246 921. All rights reserved. Dyalite, DyNet and associated logos are the registered trademarks of WMGD Pty Ltd. Not to be reproduced without permission.