

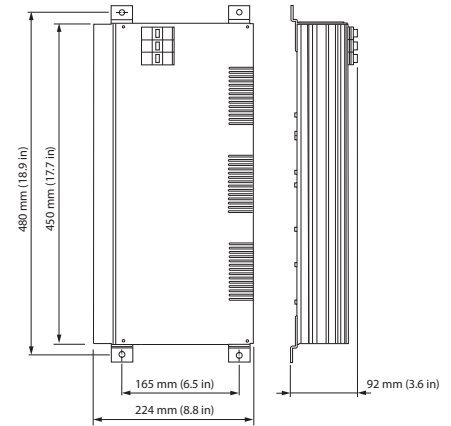


DTE310 Trailing Edge Dimmer Controller

Controls most types of dimmable electronic transformers

The DTE310 trailing edge dimmer controller features three channels, with a maximum load per channel of 10A. The trailing edge output makes this device suitable for control of both trailing and leading edge electronic transformers, as well as incandescent lamps and track lighting.

- Operates from three phase or single phase supply — Using a three phase supply when connected to a three circuit track permits the track to be loaded to maximum rating.
- Voltage regulation and soft start technologies — Protects lamps and extends life dramatically, minimizing re-lamping and ongoing maintenance requirements.
- Naturally ventilated — Integral ventilation in the housing of the unit means that no forced cooling is required, thereby reducing maintenance.
- Interface to other devices — Incorporates multipurpose programmable dry contact and analog inputs for interfacing to other devices.
- Internal controls — Programmable logic controller capable of comprehensive conditional and sequential logic and arithmetic function processing.
- Options available — Including earth leakage and overload protection on each channel, or three pole circuit breakers.



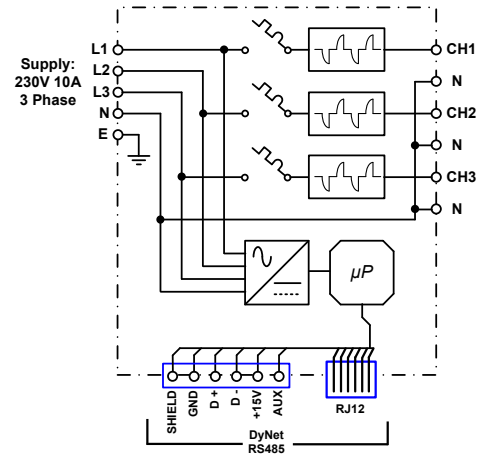
For detailed product information, please refer to the product information pages at www.philips.com/dynamalite and follow the links.

Specifications

Due to continuous improvements and innovations, specifications may change without notice.

Item	Specification	Details
Electrical	Input Voltage	230 V \pm 14% 50 / 60 Hz Single Phase @ 30 A or; 230 V \pm 14% 50 / 60 Hz 3 Phase Δ @ 10 A per phase
	DyNet DC Supply	12 V @ 200 mA (supply for approx 10 user interfaces)
	Outputs	3 x dimmed outputs trailing edge phase control @ 10 A
	Protection	3 x 10 A 6 kA single pole thermal magnetic circuit breakers Internal inductive load detection Over-voltage / current detection
	Regulating Device	Dual MOSFETs - 47 A, 650V, 141 A surge
	Power Conditioning	Regulated outputs Over voltage protection Surge protection Brownout / Sag protection Spike protection Soft start 16 bit fade resolution (65,536 steps) Active phase angle firing compensation
Control	Control Inputs/Outputs	One DMX512 / RS-485 DyNet serial port One programmable dry contact AUX input Eight dry contact / 0-5V / 0-10V analogue inputs
	User Controls	Service override switch Diagnostic LED Hardware bypass switches for each channel
	Internal Controls	Programmable Logic Controller
	Preset Scenes	170
	Diagnostic Functions	Device online/offline status
Physical	Supply Terminals	L1, L2, L3 1 x 16 mm ² max conductor size
	Output Terminals	Line, Neutral for each channel 1 x 16 mm ² max conductor size Earth Link bar provided
	Dry Contact Terminals	1 x 1 mm ² max conductor size
	Cooling System	Naturally ventilated, no forced cooling, no maintenance
	Dimensions (H x W x D)	450 mm x 224 mm x 92 mm (17.7" x 8.8" x 3.6")
	Packed Weight	6.0 kg
	Construction	Alloy / Steel wall mount case with epoxy finish
	Operating Conditions	Temperature: -0 to 40° C ambient Humidity: 0 to 95% non-condensing
Storage & Transport	Temperature: -25 to 60° C ambient Humidity: 0 to 90% non-condensing	
Certification	Certification	CE, C-Tick
Options & Ordering	Standard Product	DTE310 (Philips 12NC - 913703021009)
	3 Pole cct breakers Earth leakage & overload protection on each channel	DTE310-3POLE (Philips 12NC - 913703021209) DTE310-RCBO (Philips 12NC - 913703021309)

Electrical Diagram



Philips Dynalite
6 / 691 Gardeners Road
Mascot, NSW 2020
Australia
Tel: +61 2 8338 9899
Email: dynalite.info@philips.com
Web: www.philips.com/dynalite

Specifications subject to change without notice. ©WGMGD Pty Ltd Trading as Dynalite. Unit 6, 691 Gardeners Road Mascot 2020 Australia. ABN 33 097 246 921. All rights reserved. Dynalite, DyNet and associated logos are the registered trademarks of WGMGD Pty Ltd. Not to be reproduced without permission.