

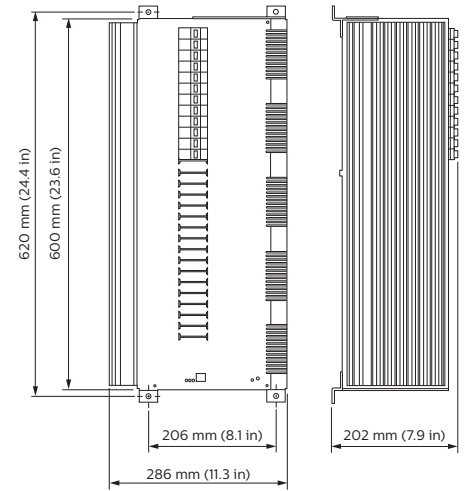


DTEI210 Trailing Edge Dimmer Controller

Controls most types of dimmable electronic transformers

The DTEI210 trailing edge dimmer controller features 12 channels, with a maximum load per channel of 10A and a total box load of 120A. The trailing edge output makes the device suitable for control of both trailing and leading edge electronic transformers, as well as incandescent lamps and track lighting.

- Operates from three phase supply — Using a three phase supply when connected to a three circuit track permits the track to be loaded to maximum rating.
- Voltage regulation and soft start technologies — Protects lamps and extends life dramatically, minimizing re-lamping and ongoing maintenance requirements.
- Naturally ventilated — Integral ventilation in the housing of the unit means that no forced cooling is required, thereby reducing maintenance.
- Interface to other devices — Incorporates multipurpose programmable dry contact and analog inputs for interfacing to other devices.
- Internal controls — Programmable logic controller capable of comprehensive conditional and sequential logic and arithmetic function processing.
- Options available — Including earth leakage and overload protection on each channel, or three pole circuit breakers.



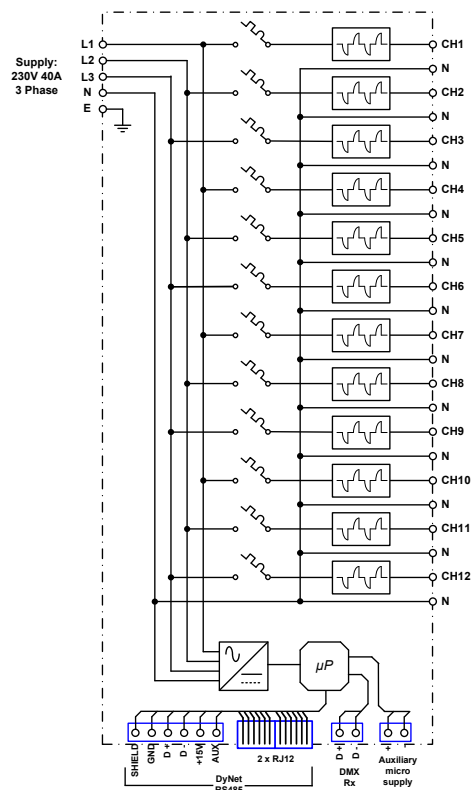
For detailed product information, please refer to the product information pages at www.philips.com/dynalite and follow the links.

Specifications

Due to continuous improvements and innovations, specifications may change without notice.

Item	Specification	Details
Electrical	Input Voltage	230 VAC \pm 14% 50 / 60 Hz 3 Phase Δ @ 40 A per phase
	DyNet DC Supply	12 V @ 200 mA (supply for approx 10 user interfaces)
	Outputs	12 x dimmed outputs trailing edge phase control @ 10 A
	Protection	12 x 10 A 6 kA single pole thermal magnetic circuit breakers Internal inductive load detection Over-voltage / current detection
	Regulating Device	Dual MOSFETs - 47 A, 650 V, 141 A surge
	Power Conditioning	Regulated outputs Over voltage protection Surge protection Brownout / Sag protection Spike protection Soft start 16 bit fade resolution (65,536 steps) Active phase angle firing compensation
	Auxiliary Micro Supply	12 V @ 1 A
Control	Control Inputs/Outputs	One DMX512 / RS-485 DyNet serial port One programmable dry contact AUX input One DMX512 receive port
	User Controls	Service override switch Diagnostic LED 3 x Phase indicator LEDs Hardware bypass switches for each channel
	Preset Scenes	170
	Diagnostic Functions	Device online/offline status
Physical	Supply Terminals	L1, L2, L3, Neutral 1 x 16 mm ² max conductor size Earth Link bar provided
	Output Terminals	Line, Neutral for each channel 1 x 16 mm ² max conductor size Earth Link bar provided
	Cable Entries	Mains - 4 x 25 mm dia. knockouts mounted on 133 mm x 44 mm removable gland plate Data - 1 x 25 mm dia. knockout
	Cooling System	Naturally ventilated, no forced cooling, no maintenance
	Dimensions (H x W x D)	600 mm x 286 mm x 202 mm (23.6" x 11.3" x 7.9")
	Packed Weight	16.7 kg
	Construction	Alloy / Steel wall mount case with epoxy finish
	Operating Conditions	Temperature: -0 to 40° C ambient Humidity: 0 to 95% non-condensing
Certification	Certification	CE, C-Tick
	Options & Ordering	Standard Product DTE1210 (Philips 12NC - 913703022009) Earth leakage & overload protection on each channel DTE1210-RCBO (Philips 12NC - 913703022609) Earth leakage & overload & 3 pole circuit protection DTE1210-RCBO-3POLE (Philips 12NC - 913703021609)

Electrical Diagram



Philips Dynalite
6 / 691 Gardeners Road
Mascot, NSW 2020
Australia
Tel: +61 2 8338 9899
Email: dynalite.info@philips.com
Web: www.philips.com/dynalite

Specifications subject to change without notice. ©WMGD Pty Ltd Trading as Dynalite. Unit 6, 691 Gardeners Road Mascot 2020 Australia. ABN 33 097 246 921. All rights reserved. Dynalite, DyNet and associated logos are the registered trademarks of WMGD Pty Ltd. Not to be reproduced without permission.