

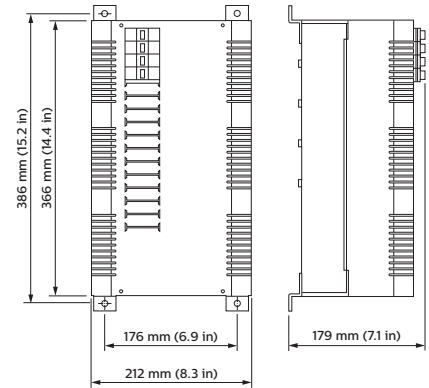


# DMC810GL Multipurpose Controller

## Combining leading edge and signal dimming control

The DMC810GL is an eight channel device that provides a combination of control technologies. The ability to control mixed load types from one device provides savings in initial capital costs, installation costs and a reduction in ongoing maintenance.

- Four channels for control of dimmable loads — Leading edge phase control for use with incandescent, neon, leading edge electronic and iron core transformers.
- Four signal control outputs — Selectable to 1-10VDC, DSI and DALI broadcast for control of HF drivers.
- Four switched outputs — Signal control outputs can operate in tandem with, or separately from, switched outputs.
- Interference suppression — Iron powder core toroidal choke lessens effects of interference from other equipment, such as transformers.
- Naturally ventilated — Requires no forced cooling or maintenance.
- Diagnostic functionality — Device Online/Offline status reporting.
- User controls — Incorporates service override switch - all channels to 100% and a diagnostic LED.
- Options available — Including an additional RS485 DyNet/DMX512 port or earth leakage and overload protection on each channel.



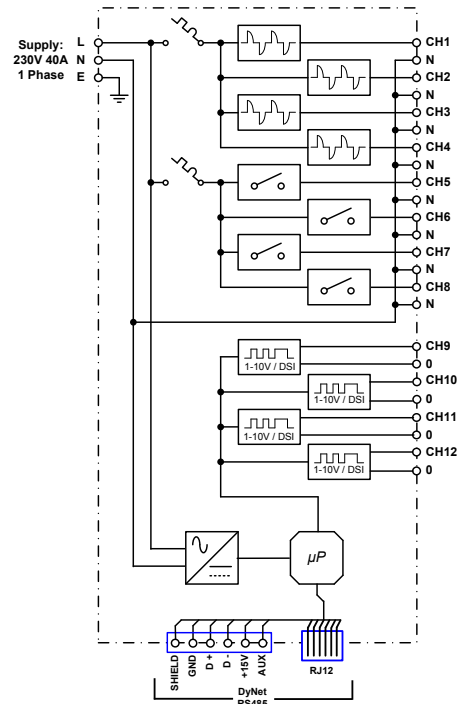
For detailed product information, please refer to the product information pages at [www.philips.com/dynamalite](http://www.philips.com/dynamalite) and follow the links.

## Specifications

Due to continuous improvements and innovations, specifications may change without notice.

Item	Specification	Details
Electrical	Input Voltage	230V ±14% 50 / 60 Hz Single Phase @ 40 A
	DyNet DC Supply	12V @ 200 mA (supply for approx 10 user interfaces)
	Outputs	4 x dimmed outputs leading edge phase control @ 10 A 4 x switched outputs @ 10 A 4 x HF ballast control outputs, selectable to 1-10VDC, DSI and DALI Maximum device load is 40 A Total switched load is 40 A or; Total dimmed load is 40 A
	Overload Protection	4 x 10 A 6 kA single pole thermal magnetic circuit breakers
	Regulating Device	Triac - 40 A nom., 600V, 400 A surge
	Switching Device	Relay 16 A nom., 165 A surge
	Interference Suppression	Iron powder toroidal choke
	Control	Control Inputs/Outputs
User Controls		Service override switch - all channels to 100% Diagnostic LED
Preset Scenes		170
Rise Time		100µS @ 230 V
Internal Controls		Programmable Logic Controller
Diagnostic Functions		Device online/offline status
Physical	Supply Terminals	Line, Neutral 2 x 10 mm <sup>2</sup> max conductor size
	Output Terminals	Line, Neutral for each channel (Channels 1-8) 2 x 4 mm <sup>2</sup> max conductor size Earth link bar provided 0V / DSI / DALI + V / DSI / DALI (Channels 9-12) 1 x 2.5 mm <sup>2</sup> max conductor size
	Cable Entries	Mains - 8 x 25 mm dia. knockout Data - 1 x 25 mm dia. knockout
	Cooling System	Naturally ventilated, no forced cooling, no maintenance
	Dimensions (H x W x D)	366 mm x 212 mm x 179 mm (14.4" x 8.3" x 7.1")
	Packed Weight	7.5 kg
	Construction	Alloy / Steel wall mount case with epoxy finish
	Operating Conditions	Temperature: -0 to 40° C ambient Humidity: 0 to 95% non-condensing
Certification	Certification	CE, C-Tick
Options & Ordering	Standard Product	DMC810GL (Philips 12NC - 913703028009)
	Extra DyNet / DMX512 Port	DMC810GL-A (Philips 12NC - 913703028709)
	Earth leakage and overload protection on each channel	DMC810GL-RCBO (Philips 12NC - 913703028509)
	Dual Port & RCBO	DMC810GL-A-RCBO (Philips 12NC - 913703028909)

## Electrical Diagram



Philips Dyalite  
6 / 691 Gardeners Road  
Mascot, NSW 2020  
Australia  
Tel: +61 2 8338 9899  
Email: dyalite.info@philips.com  
Web: www.philips.com/dyalite

Specifications subject to change without notice. ©WMGD Pty Ltd Trading as Dyalite. Unit 6, 691 Gardeners Road Mascot 2020 Australia. ABN 33 097 246 921. All rights reserved. Dyalite, DyNet and associated logos are the registered trademarks of WMGD Pty Ltd. Not to be reproduced without permission.