

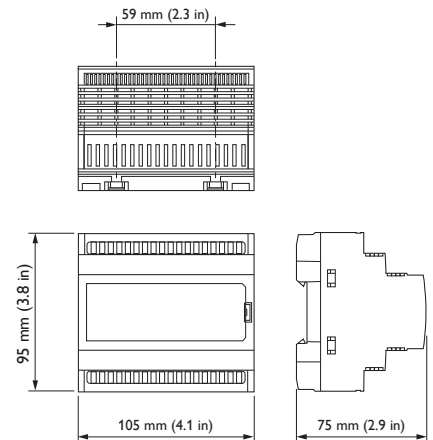


DDLEDC605-GL PWM Controller

Directly drive LED fittings with pulse width modulation technology

The DDLEDC605-GL is designed to control LED loads in decorative architectural lighting applications where creative color mixing and sequencing is required. The controller provides six pulse width modulated common anode voltage mode outputs, suitable for directly driving high intensity LED sources. The controller is designed for connection to an external DC power supply, enabling the unit to deliver a range of nominal output voltages. The DDLEDC605-GL is DMX512 compatible and is suitable for the high chase speeds commonly found in display lighting.

- Designed for connection to external power supply — The device is connected to an external DC power supply, enabling the unit to deliver a range of nominal output voltages.
- DMX512 compatible — Capable of receiving native DMX512, allowing use in color mixing or chase sequence applications, such as those found in display lighting.
- Diagnostic functionality — Device Online/Offline status reporting.
- Flexible mounting solution — A DIN-rail mountable device, designed to be installed into a distribution board or other electrical enclosure.
- Naturally ventilated — Requires no forced cooling or maintenance.



For detailed product information, please refer to the product information pages at www.philips.com/dynalite and follow the links.

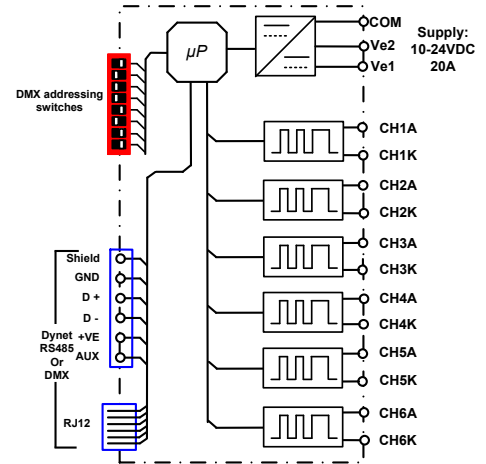
Specifications

Due to continuous improvements and innovations, specifications may change without notice.

Item	Specification	Details
Electrical	Input Voltage	External 20 A regulated power supply Controller supply voltage range 10 - 24 VDC
	DyNet DC Supply	12 V @ 120 mA (supply for approx 6 user interfaces)
Electrical	LED Outputs	6 x 5 A voltage mode, common anode Nominal output voltage is equal to the supply voltage, less internal voltage drop max of 0.5 V Outputs are short circuit protected Integral self-resetting thermal overload protection Total device load 20 A
	Control Inputs/Outputs	One RS-485 DyNet serial port
Control	User Controls	Service switch Diagnostic LED
	Preset Scenes	170
	Diagnostic Functions	Device online/offline status
	Supply Terminals	Positive, Negative, Earth 1 x 4 mm ² max conductor size
Physical	Output Terminals	CH, COM for each channel 1 x 2.5 mm ² max conductor size
	Dimensions (H x W x D)	95 mm x 105 mm x 75 mm (3.8" x 4.1" x 2.9")
	Packed Weight	1.0 kg
	Construction	Polycarbonate DIN-rail enclosure (12 unit)
	Operating Conditions	Temperature: -0 to 40° C ambient Humidity: 0 to 95% non-condensing
	Storage & Transport	Temperature: -25 to 60° C ambient Humidity: 0 to 90% non-condensing
	Certification	Certification
Options & Ordering	Standard Product	DDLEDC605-GL (Philips 12NC - 913703061209)



Electrical Diagram



Philips Dyalite
6 / 691 Gardeners Road
Mascot, NSW 2020
Australia
Tel: +61 2 8338 9899
Email: dyalite.info@philips.com
Web: www.philips.com/dyalite

Specifications subject to change without notice. ©WMGD Pty Ltd Trading as Dyalite. Unit 6, 691 Gardeners Road Mascot 2020 Australia. ABN 33 097 246 921. All rights reserved. Dyalite, DyNet and associated logos are the registered trademarks of WMGD Pty Ltd. Not to be reproduced without permission.