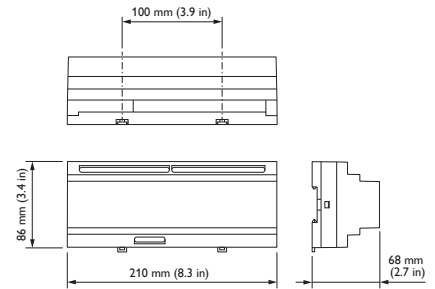




DDLEDC60035 PWM Controller

Directly drive LED fittings with pulse width modulation technology

The DDLEDC60035 is designed to control LED loads in decorative architectural lighting applications where creative color mixing and sequencing is required. The controller provides six pulse width modulated common anode current mode outputs suitable for directly driving 350mA nominal current rated high intensity LED sources.



- Internal current regulation — The controller is designed to directly operate series connected LED arrays without the need for any additional circuit devices.
- DMX512 compatible — Capable of receiving native DMX512, allowing use in color mixing or chase sequence applications, such as those found in display lighting.
- Diagnostic functionality — Device Online/Offline status reporting.
- Flexible mounting solution — A DIN-rail mountable device, designed to be installed into a distribution board or other electrical enclosure.
- Naturally ventilated — Requires no forced cooling or maintenance.

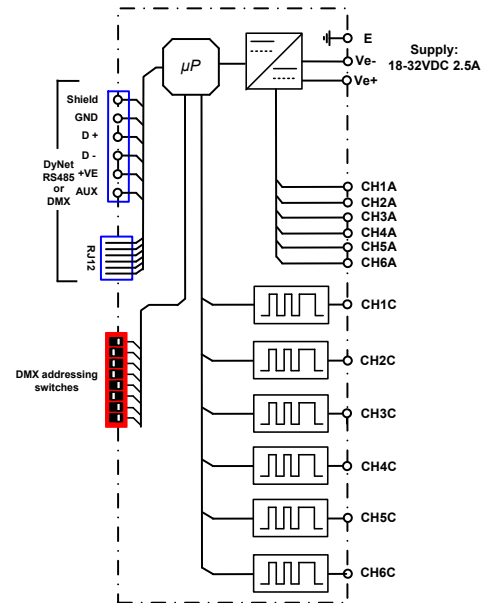
For detailed product information, please refer to the product information pages at www.philips.com/dynalite and follow the links.

Specifications

Due to continuous improvements and innovations, specifications may change without notice.

Item	Specification	Details
Electrical	Input Voltage	Regulated 19 - 32V @ 2.5A
	DyNet DC Supply	12V @ 120 mA (supply for approx 6 user interfaces)
	LED Outputs	6 x 350 mA current mode, common anode Minimum internal voltage drop 0.5V Outputs are short circuit protected Integral self-resetting thermal overload protection
	Maximum Power Dissipation	6 Watts combined total for consecutive pairs of channels (Ch 1&2, Ch 3&4, Ch 5&6). 4 Watts per individual channel. Total device load 18 Watts $P_d = (V_s - (V_{df} \times n)) \times 0.35$ P_d = Power dissipation per channel V_s = Supply voltage V_{df} = Diode forward voltage n = Number of diodes in series per channel
	Maximum Supply Voltage	$V_s \text{ max} = 8.5 + (n \times V_{led})$ or 32VDC (whichever is less) $V_s \text{ max}$ = maximum supply voltage n = number of diodes in series per channel V_{led} = LED forward voltage
	Minimum Supply Voltage	$V_s \text{ min} = 4 + (n \times V_{led})$ or 18V DC (whichever is greater) $V_s \text{ min}$ = Minimum supply voltage n = Number of diodes in series per channel V_{led} = LED forward voltage
Control	Control Inputs/Outputs	One RS-485 DyNet serial port
	User Controls	Service switch Diagnostic LED
	Preset Scenes	170
	Diagnostic Functions	Device online/offline status
Physical	Supply Terminals	Positive, Negative, Earth 1 x 2.5 mm ² max conductor size
	Output Terminals	CH, COM for each channel 1 x 2.5 mm ² max conductor size
	Dimensions (H x W x D)	86 mm x 210 mm x 68 mm (3.4" x 8.3" x 2.7")
	Packed Weight	1.0 kg
	Construction	ABS DIN-rail enclosure (12 unit)
	Operating Conditions	Temperature: -0 to 40° C ambient Humidity: 0 to 95% non-condensing
	Storage & Transport	Temperature: -25 to 60° C ambient Humidity: 0 to 90% non-condensing
Certification	Certification	CE, C-Tick
Options & Ordering	Standard Product	DDLDC60035 (Philips 12NC - 913703061309)

Electrical Diagram



Philips Dyalite
6 / 691 Gardeners Road
Mascot, NSW 2020
Australia
Tel: +61 2 8338 9899
Email: dyalite.info@philips.com
Web: www.philips.com/dyalite

Specifications subject to change without notice. ©WMGD Pty Ltd Trading as Dyalite. Unit 6, 691 Gardeners Road Mascot 2020 Australia. ABN 33 097 246 921. All rights reserved. Dyalite, DyNet and associated logos are the registered trademarks of WMGD Pty Ltd. Not to be reproduced without permission.