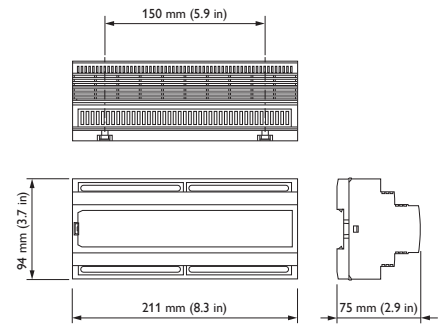




DDBC516FR Signal Dimmer Controller

Cost effective control of DALI high frequency fluorescent drivers

The Philips Dynalite DDBC516FR is a five channel device for controlling DALI HF fluorescent drivers. Each control output is selectable to; DALI broadcast (maximum ten DALI loads/channel); DALI addressed (maximum ten DALI loads/channel); I-10V (maximum 10mA Sink or Source/channel or; DSI (maximum five DSI loads/channel).



- Multiple protocols supported — Each of the five control outputs supports DALI broadcast, DALI addressed, I-10V and DSI protocols.
- Innate energy savings — Control signals can be programmed to operate in tandem with five internal switched outputs, which will automatically isolate the power circuit when all associated channels are at 0%. This is a useful feature as DALI drivers still draw significant power when lamps are turned off via a DALI command.
- Integral DALI bus power supply — Removes the need for an additional external device.
- Flexible mounting solution — A DIN-rail mountable device, designed to be installed into the distribution board supplying power to the controlled circuit.
- Inbuilt diagnostic functionality — Features lamp and driver failure reporting, driver run time tracking for each driver and the switched output, as well as Device Online/Offline status indication.

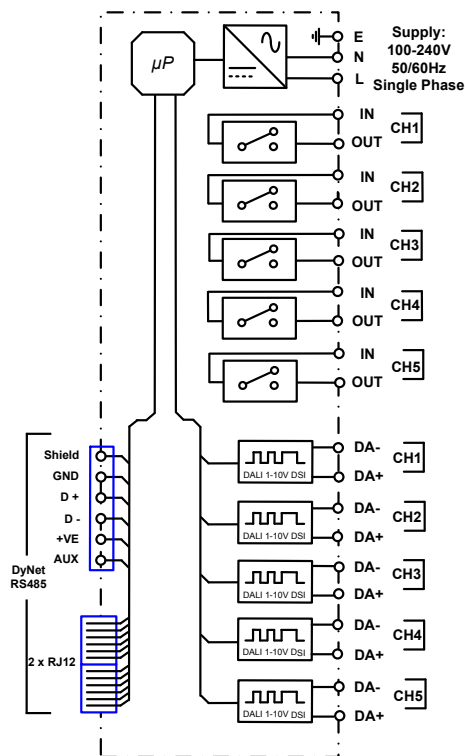
For detailed product information, please refer to the product information pages at www.philips.com/dynalite and follow the links.

Specifications

Due to continuous improvements and innovations, specifications may change without notice.

Item	Specification	Details
Electrical	Input Voltage	100 - 240 VAC 50 / 60 Hz Single Phase @ 0.5 A
	DyNet DC Supply	12 V @200 mA (supply for approx 10 user interfaces)
	Outputs	5 x control outputs, each selectable to; - DALI broadcast. Max 10 DALI loads/ch - DALI addressed. Max 10 DALI loads/ch - 1-10V. Max 10 mA Sink or Source/ch - DSI. Max 5 DSI loads/ch
	Mains Outputs	5 x 16 A feed-through switched circuits for driver mains supply
	Bus Power Supply	Internal DALI bus power supply
Control	Control Inputs/Outputs	One RS-485 DyNet serial port One programmable dry contact AUX input
	User Controls	Service override switch for each switched channel On/Off status indicator for each switched output Service switch Diagnostic LED
	Preset Scenes	170
	Diagnostic Functions	Lamp failure reporting Driver failure reporting Driver run time tracking for each driver and the switched output Device online/offline status
Physical	Supply Terminals	Line, Neutral, Earth 1 x 4 mm ² maximum conductor size
	Output Terminals	5 x Driver power circuit: Line In, Line Out 1 x 4 mm ² maximum conductor size 5 x Driver control circuit - D+, D- 1 x 4 mm ² maximum conductor size
	Dimensions (H x W x D)	94 mm x 211 mm x 75 mm (3.7" x 8.3" x 2.9")
	Packed Weight	0.8 kg
	Construction	Polycarbonate DIN-rail enclosure (12 unit)
	Operating Conditions	Temperature: 0 to 40° C ambient Humidity: 0 to 95% non-condensing
	Storage & Transport	Temperature: -25 to 60° C ambient Humidity: 0 to 90% non-condensing
Certification	Certification	CE, C-Tick
Options & Ordering	Standard Product	DDBC516FR (Philips 12NC - 913703031509)

Electrical Diagram



Philips Dyalite
6 / 691 Gardeners Road
Mascot, NSW 2020
Australia
Tel: +61 2 8338 9899
Email: dyalite.info@philips.com
Web: www.philips.com/dyalite

Specifications subject to change without notice. ©WMGD Pty Ltd Trading as Dyalite. Unit 6, 691 Gardeners Road Mascot 2020 Australia. ABN 33 097 246 921. All rights reserved. Dyalite, DyNet and associated logos are the registered trademarks of WMGD Pty Ltd. Not to be reproduced without permission.