

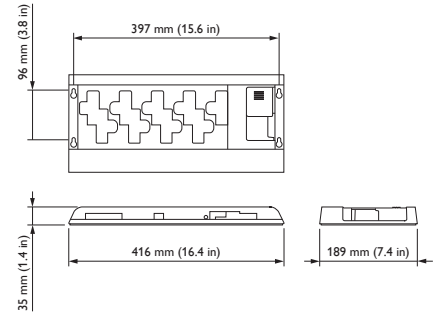


# DBC905 Signal Dimmer Controller

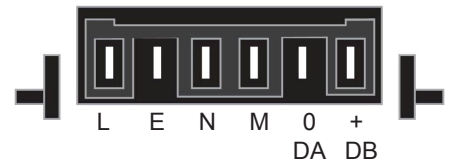
## Control of HF drivers and non-lighting loads

The Philips Dynalite DBC905 is a nine channel high frequency fluorescent signal dimmer controller, designed for direct installation within ceiling cavities. The device incorporates structured wiring connectors, to enable ready connection without the use of tools.

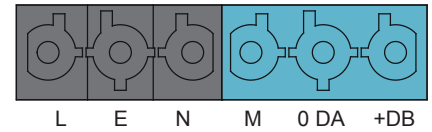
- Multiple protocols supported — Each control output supports DALI broadcast, DALI addressed, I-10V and DSI protocols.
- Integration ease — The DBC905 integrates easily with a Building Management System (BMS) via the DyNet control network, making it ideally suited to commercial office installations.
- No tools required — The device is available with connectors suited to three major modular wiring brands - CMS Electracom, Wieland and Wago.
- Inbuilt diagnostic functionality — Includes lamp and driver failure, circuit run time tracking/lamp life, automated battery tests and Device Online/Offline status indication.
- Option available — Offers increased capacity, 165 A surge switched outputs and 10 DALI loads per channel.



DBC905C output connector pole assignments



DBC905W output connector pole assignments



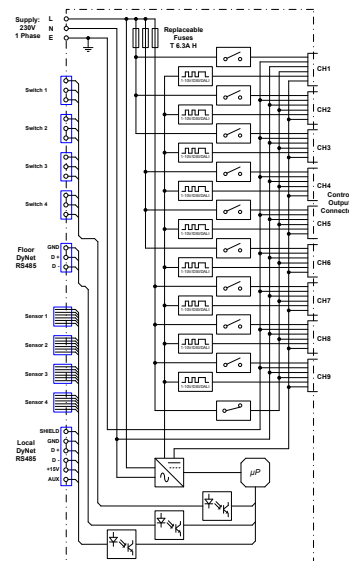
For detailed product information, please refer to the product information pages at [www.philips.com/dynalite](http://www.philips.com/dynalite) and follow the links.

## Specifications

Due to continuous improvements and innovations, specifications may change without notice.

Item	Specification	Details
Electrical	Input Voltage	230 VAC ± 14% 50 / 60 Hz Single Phase @ 16 A
	DyNet DC Supply	12 VDC @ 400 mA
	Outputs	1 x Maintained NC switched output @ 5 A resistive (not in WA) 9 x Switched outputs, each rated @ 5 A resistive, 2 A electronic driver; 100 A surge (max load per block of 3 channels is 5 A)
	Protection	3 x 6.3 A replaceable HRC fuses Fuse 1 - Ch 1,2,3 (max load for sum is 5 A) Fuse 2 - Ch 4,5,6 (max load for sum is 5 A) Fuse 3 - Ch 7,8,9, MO (max load for sum is 5 A)
	Control Outputs	9 Control outputs, each selectable to; - DALI broadcast; max 5 DALI loads per ch - DALI addressed; max 5 DALI loads per ch - I-10V; max 10mA sink or source per ch - DSI; max 5 DSI loads per ch
	Control Inputs	4 x voltage free single pole double throw (SPDT) switch inputs, momentary or latch
Control	Control Inputs/Outputs	One DMX512 / RS-485 DyNet serial port One programmable dry contact AUX input Four RJ12 DyNet connections for multifunction sensors, user panels and other interfaces. Recommended total devices per RJ12 socket = 5 to a max of 10. Max devices for all sockets = 20. Floor DyNet RS-485 One RS-485 DyNet serial port (functionally isolated from mains)
	User Controls	Service override switch - all channels to 100% Diagnostic LED
	Preset Scenes	170
	Diagnostic Functions*	Lamp failure Driver failure Circuit run time tracking/lamp life Automated battery tests Device online/offline status <small>* EnvisonManager interface is required for analyzing diagnostic data. The availability of some diagnostics is dependent on the driver type.</small>
	Dimensions (H x W x D)	189 mm x 416 mm x 35 mm (7.4" x 16.4" x 1.4")
Physical	Packed Weight	2.0 kg
	Construction	Moulded ABS
	Operating Conditions	Temperature: 0 to 50° C ambient Humidity: 0 to 95% non-condensing
	Storage & Transport	Temperature: -25 to 60° C ambient Humidity: 0 to 90% non-condensing
Certification	Certification	CE, C-Tick
Options & Ordering	CMS Electracom Connect	DBC905C (Philips 12NC - 913703040509)
	Wieland Connect	DBC905W (Philips 12NC - 913703040009)
	High Capacity - Wago	DBC905WA-HD (Philips 12NC - 913703040209)
	High Capacity - CMS	DBC905C-HD (Philips 12NC - 913703040609)
	High Capacity - Wieland	DBC905W-HD (Philips 12NC - 913703040109)

## Electrical Diagram



## Connector Order Codes

Terminals	Vendor	Details
Local DyNet Terminals		4 x RJ12 and 6 pole removable terminal socket
	Wieland compatible screw terminal connectors	Standard version: Wiecon 8113 Wieland Part No: 25.320.3653.0 (box 50) Strain relieved version: Wiecon 8113 Wieland Part No: 25.320.8653.0 (box 50)
	Phoenix Contact compatible screw terminal connectors	Standard version: Combicon MSTB 2, 5/6-ST Phoenix Contact Part No: 1754520 (box 50)
	PTR compatible screw terminal connectors	Standard version: PTR Part No: AK950/6-5.0-GREEN Strain relieved version: PTR Part No: AK950/6L-5.0-GREEN
Switch Input & Floor Network Terminals		5 x 3 pole removable terminal sockets
	Wieland compatible screw terminal connectors	Standard version: Wiecon 8113 Wieland Part No: 25.320.3353.0 (box 50) Strain relieved version: Wiecon 8113 Wieland Part No: 25.320.8353.0 (box 50)
	Phoenix Contact compatible screw terminal connectors	Standard version: Combicon MSTB 2, 5/3-ST Phoenix Contact Part No: 1754465 (box 50) Strain relieved version: Combicon MSTB 2, 5/3-STZ-5,08 Phoenix Contact Part No: 1776168 (box 50)
	PTR compatible screw terminal connectors	Standard version: PTR Part No: AK950/3-5.0-GREEN Strain relieved version: PTR Part No: AK950/3L-5.0-GREEN



Philips Dynalite  
6 / 691 Gardeners Road  
Mascot, NSW 2020  
Australia  
Tel: +61 2 8338 9899  
Email: [dynalite.info@philips.com](mailto:dynalite.info@philips.com)  
Web: [www.philips.com/dynalite](http://www.philips.com/dynalite)

Specifications subject to change without notice. ©WMGD Pty Ltd Trading as Dynalite. Unit 6, 691 Gardeners Road Mascot 2020 Australia. ABN 33 097 246 921. All rights reserved. Dynalite, DyNet and associated logos are the registered trademarks of WMGD Pty Ltd. Not to be reproduced without permission.