

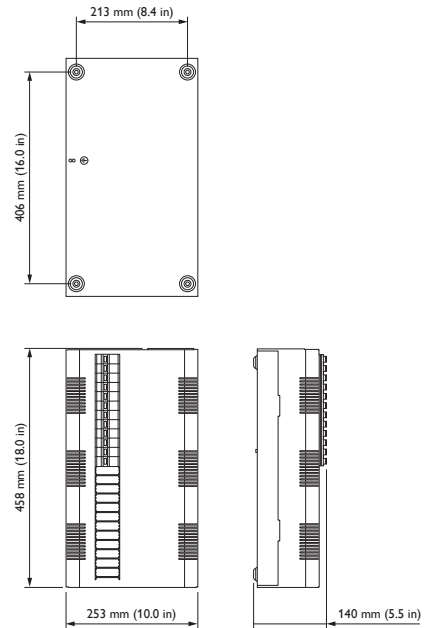


DBC I220GL Signal Dimmer Controller

Control of HF drivers and non-lighting loads

The Philips Dynalite DBC I220GL is a 12 channel signal dimmer controller, featuring a maximum of load of 20A per channel and a total device load of 180A. It is designed for use with DALI, 1-10V and DSI dimmable fluorescent drivers and transformers.

- Multiple protocols supported — Compatible with a range of fittings and devices including; DSI HF fluorescent drivers, DSI electronic low voltage transformers, DALI HF fluorescent drivers (broadcast mode only), DALI electronic low voltage transformers (broadcast mode only), 1-10V HF fluorescent drivers and other switched loads.
- Service override switch — Incorporated as standard, forces all channels to 100%.
- Inbuilt diagnostic functionality — Features Device Online/Offline status indication.
- Options available — Including an additional RS485 DyNet/DMX512 port or earth leakage and overload protection on each channel.



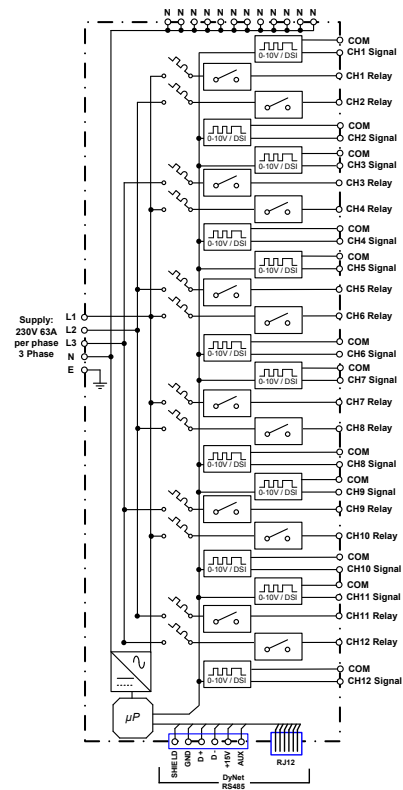
For detailed product information, please refer to the product information pages at www.philips.com/dynalite and follow the links.

Specifications

Due to continuous improvements and innovations, specifications may change without notice.

Item	Specification	Details
Electrical	Input Voltage	230 VAC \pm 14% 50 / 60 Hz 3 Phase Δ @ 63 A per phase
	DyNet DC Supply	12VDC @ 120 mA (supply for approx 6 user interfaces)
	Switched Outputs	12 x switched outputs @ 20 A Maximum device load is 180 A
	Control Outputs	DALI broadcast mode: 64 drivers per ch, maximum 400 1-10V mode: 50mA sink/source per ch DSI mode: 100 drivers per ch, maximum 1200
	Overload Protection	12 x 20 A 6 kA single pole thermal magnetic circuit breakers
	Switching Device	Relay 50 A, 230 VAC resistive (5000 W lighting load rated)
	Control	Control Inputs/Outputs
User Controls		Service override switch - all channels to 100% Diagnostic LED
Preset Scenes		170
Diagnostic Functions		Device online/offline status
Physical	Supply Terminals	L1, L2, L3, 1 x 35 mm ² maximum conductor size
	Output Terminals	Line for each channel 1 x 10 mm ² maximum conductor size Neutral Link bar provided Earth Link bar provided -V/DSI/DALI, +V/DSI/DALI for each channel 1 x 4 mm ² maximum conductor size
	Cable Entries	Mains: 4 x 25 mm dia. knockouts mounted on 88 mm x 88 mm removable gland plate Data: 1 x 25 mm dia. knockout Outputs: 6 x 25 mm dia knockouts on side of chassis
	Dimensions (H x W x D)	Std: 458 mm x 253 mm x 140 mm (18.0" x 10.0" x 5.5") -RCBO: 585 mm x 252 mm x 126 mm (23.0" x 9.9" x 5.0")
	Packed Weight	10.25 kg
	Construction	Alloy / Steel wall-mount case with epoxy finish
	Operating Conditions	Temperature: 0 to 50° C ambient Humidity: 0 to 95% non-condensing
	Storage & Transport	Temperature: -25 to 60° C ambient Humidity: 0 to 90% non-condensing
Certification	Certification	CE, C-Tick
Options & Ordering	Standard Product	DBC1220GL (Philips 12NC - 913703038009)
	Extra DyNet/DMX512 Port	DBC1220GL-A (Philips 12NC - 913703038109)
	Earth leakage and overload protection on each channel	DBC1220GL-RCBO (Philips 12NC - 913703038509) Note: necessitates larger enclosure
	Dual Port & RCBO	DBC1220GL-A-RCBO (Philips 12NC - 913703032809) Note: necessitates larger enclosure

Electrical Diagram



Philips Dyalite
6 / 691 Gardeners Road
Mascot, NSW 2020
Australia
Tel: +61 2 8338 9899
Email: dyalite.info@philips.com
Web: www.philips.com/dyalite

Specifications subject to change without notice. ©WMGD Pty Ltd Trading as Dyalite. Unit 6, 691 Gardeners Road Mascot 2020 Australia. ABN 33 097 246 921. All rights reserved. Dyalite, DyNet and associated logos are the registered trademarks of WMGD Pty Ltd. Not to be reproduced without permission.