

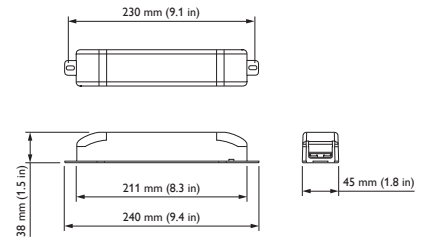


DMBC110 Signal Dimmer & Relay Controller

Intelligent networked control of individual lighting fixtures

The DMBC110 provides intelligent networked control of individual lighting fixtures. The compact design enables mounting directly within the gear enclosure of many lighting fixtures.

- Incorporates one relay output and one HF driver output — Used to provide dimming control of DALI, I-10V and DSI compatible drivers and transformers.
- Gear enclosure mounting — Compact design allows the device to be mounted directly within the gear enclosure of many light fittings.
- Fully rated device — Robust relays provide reliable control of difficult lighting loads.
- Inbuilt diagnostic functionality — Features Device Online/Offline status indication.



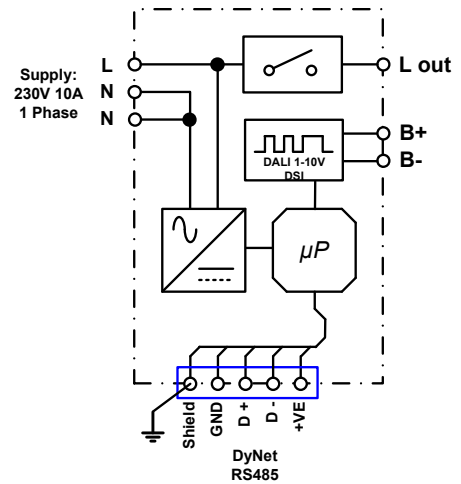
For detailed product information, please refer to the product information pages at www.philips.com/dynalite and follow the links.

Specifications

Due to continuous improvements and innovations, specifications may change without notice.

Item	Specification	Details
Electrical	Input Voltage	230 VAC \pm 14% 50 / 60 Hz Single Phase @ 10 A
	DyNet DC Supply	12 V @120 mA (supply for approx 6 user interfaces)
	Switched Output	1 x relay output @ 10 A (inductive)
	Control Output	1 x output selectable to: DALI Broadcast, 1-10V, DSI
	Control Output Capacity	DALI drivers and transformers: 5 0-10 V: 10 mA source or 20 mA sink DSI drivers and transformers: 15
	Switching Device	Relay, Tungsten pilot contact, 16 A inductive, 165 A surge
Control	Control Inputs/Outputs	One DMX512 / RS-485 DyNet serial port
	Preset Scenes	170
	Diagnostic Functions	Device online/offline status
Physical	Supply Terminals	Line in, Neutral 1 x 4 mm ² maximum conductor size
	Output Terminals	Mains: Line 1, Line 2, Neutral 1 x 4 mm ² maximum conductor size Control: D+, D- 1 x 1.5 mm ² maximum conductor size
	Dimensions (L x W x D)	240 mm x 45 mm x 38 mm (9.4" x 1.8" x 1.5")
	Packed Weight	0.19 kg
	Construction	ABS plastic
	Operating Conditions	Temperature: 0 to 50° C ambient Humidity: 0 to 95% non-condensing
	Storage & Transport	Temperature: -25 to 60° C ambient Humidity: 0 to 90% non-condensing
Certification	Certification	CE, C-Tick,
Options & Ordering	Standard Product	DMBC110 (Philips 12NC - 913703030009)

Electrical Diagram



Philips Dyalite
6 / 691 Gardeners Road
Mascot, NSW 2020
Australia
Tel: +61 2 8338 9899
Email: dyalite.info@philips.com
Web: www.philips.com/dyalite

Specifications subject to change without notice. ©WMGD Pty Ltd Trading as Dyalite. Unit 6, 691 Gardeners Road Mascot 2020 Australia. ABN 33 097 246 921. All rights reserved. Dyalite, DyNet and associated logos are the registered trademarks of WMGD Pty Ltd. Not to be reproduced without permission.